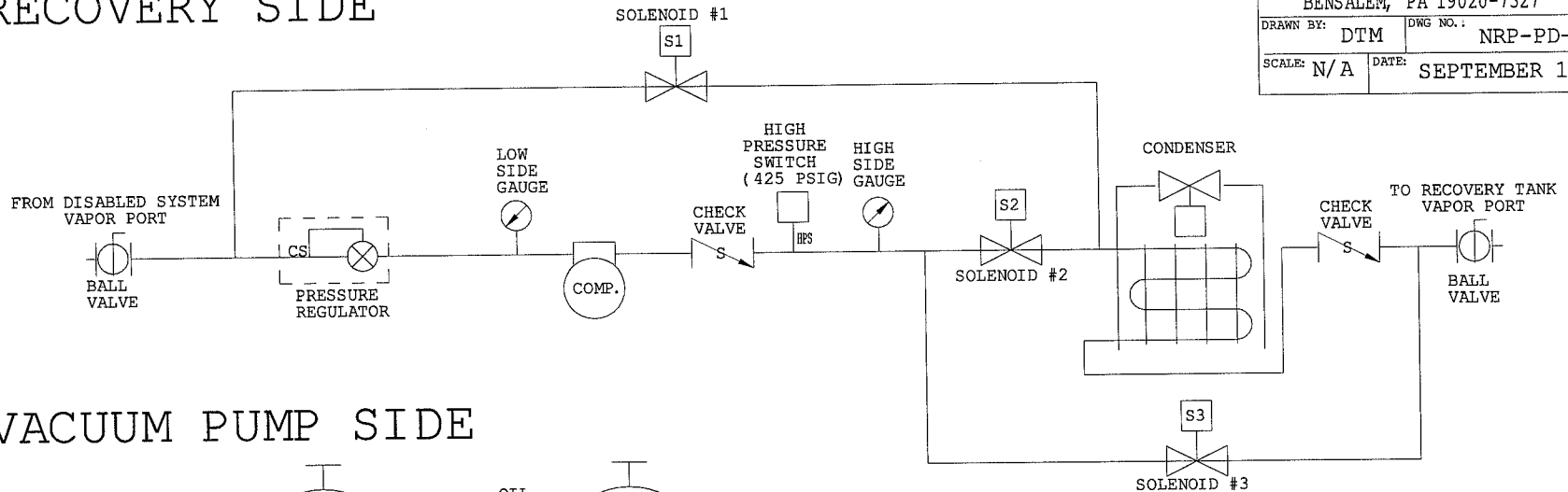
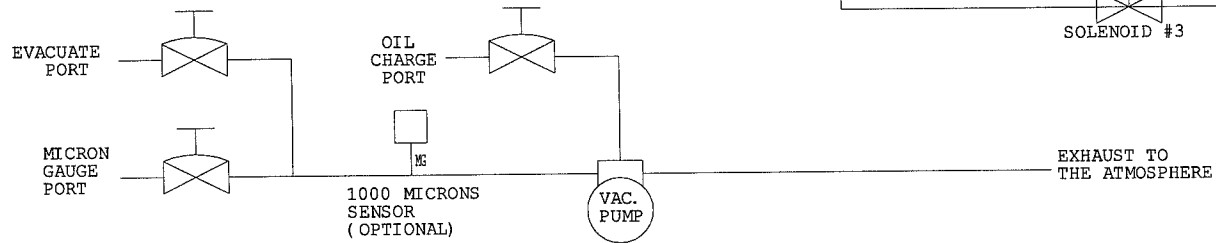


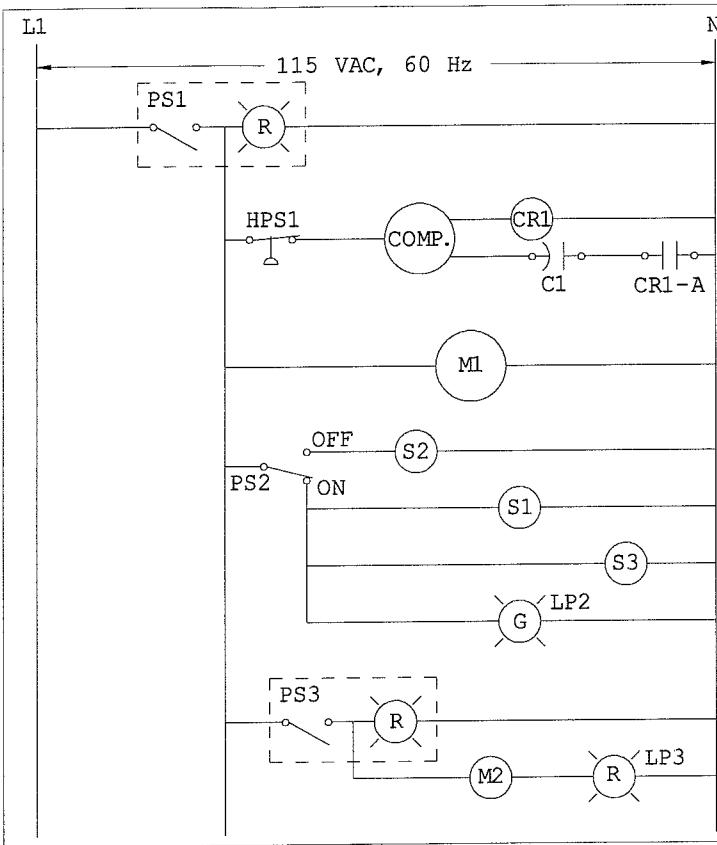
# RECOVERY SIDE



REVAC/REVAC-UL PIPING DIAGRAM		
NATIONAL REFRIGERATION PRODUCTS 458 IMPERIAL COURT BENSALEM, PA 19020-7327		
DRAWN BY: DTM	DWG NO.: NRP-PD-003	REV. C
SCALE: N/A	DATE: SEPTEMBER 11, 1997	

# VACUUM PUMP SIDE

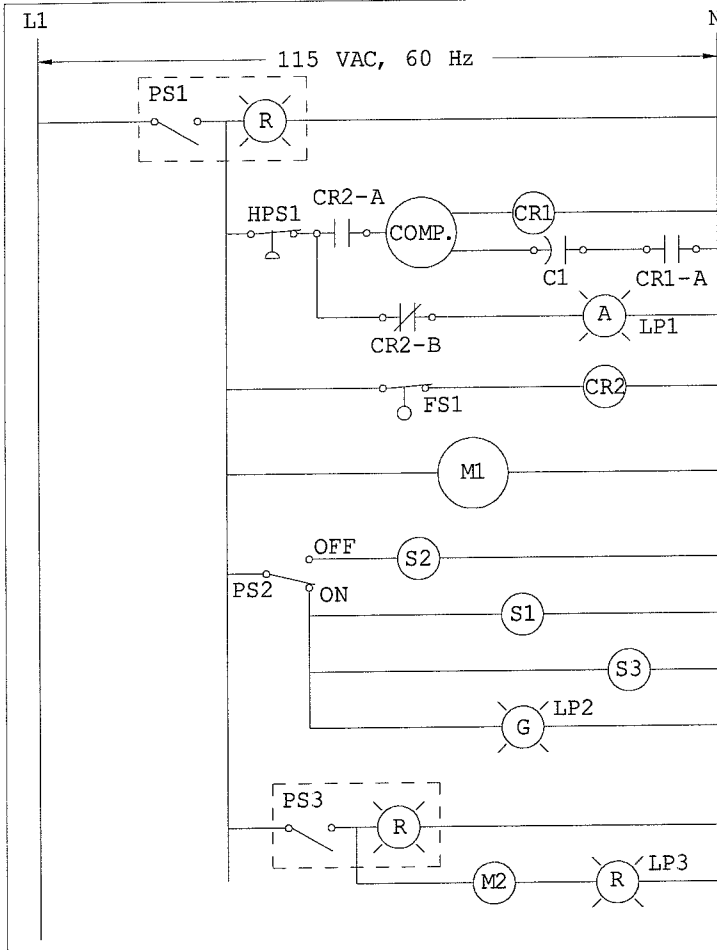




REVAC LADDER SCHEMATIC			
NATIONAL REFRIGERATION PRODUCTS 458 IMPERIAL COURT BENSALEM, PA 19020-7327			
DRAWN BY: DTM	DWG NO.: NRP-LS-011	REV. B	
SCALE: N/A	DATE: SEPTEMBER 12, 1997		

**LEGEND:**

C1 - COMPRESSOR START CAP. (233-280 mFd)  
 COMP. - VACUUM PUMP/COMPRESSOR MOTOR  
 CR1 - RELAY COIL #1, CONTACTS 3 & 4  
 CR1-A - N.O. CONTACTS 2 & 4 ON RELAY #1  
 HPS1 - HIGH PRESSURE SWITCH (425 PSI CUT-OUT)  
 L1 TO N - LINE VOLTAGE (115 VAC)  
 LP2 - PUMP OUT LAMP, GREEN  
 LP3 - EVACUATION LAMP, RED (OPTIONAL)  
 M1 - FAN MOTOR  
 M2 - 1000 MICRON INDICATOR (OPTIONAL)  
 PS1 - ON/OFF SWITCH WITH RED LAMP  
 PS2 - PUMP OUT SWITCH  
 PS3 - EVACUATION SWITCH WITH RED LAMP  
 S1 - SOLENOID COIL #1  
 S2 - SOLENOID COIL #2  
 S3 - SOLENOID COIL #3



REVAC-UL LADDER SCHEMATIC			
NATIONAL REFRIGERATION PRODUCTS 458 IMPERIAL COURT BENSALEM, PA 19020-7327			
DRAWN BY: DTM	DWG NO.: NRP-LS-011	REV. B	
SCALE: N/A	DATE: SEPTEMBER 12, 1997		

**LEGEND:**

C1 - COMPRESSOR START CAP. (233-280 mFd)  
 COMP. - VACUUM PUMP/COMPRESSOR MOTOR  
 CR1 - RELAY COIL #1, CONTACTS 3 & 4  
 CR1-A - N.O. CONTACTS 2 & 4 ON RELAY #1  
 CR2 - RELAY COIL #2, CONTACTS 0 & 1  
 CR2-A - N.O. CONTACTS 3 & 4 ON RELAY #2  
 CR2-B - N.C. CONTACTS 2 & 4 ON RELAY #2  
 FS1 - FLOAT SWITCH  
 HPS1 - HIGH PRESSURE SWITCH (425 PSI CUT-OUT)  
 L1 TO N - LINE VOLTAGE (115 VAC)  
 LP1 - TANK FULL LAMP, AMBER  
 LP2 - PUMP OUT LAMP, GREEN  
 LP3 - EVACUATION LAMP, RED (OPTIONAL)  
 M1 - FAN MOTOR  
 M2 - 1000 MICRON INDICATOR (OPTIONAL)  
 PS1 - ON/OFF SWITCH WITH RED LAMP  
 PS2 - PUMP OUT SWITCH  
 PS3 - EVACUATION SWITCH WITH RED LAMP  
 S1 - SOLENOID COIL #1  
 S2 - SOLENOID COIL #2  
 S3 - SOLENOID COIL #3