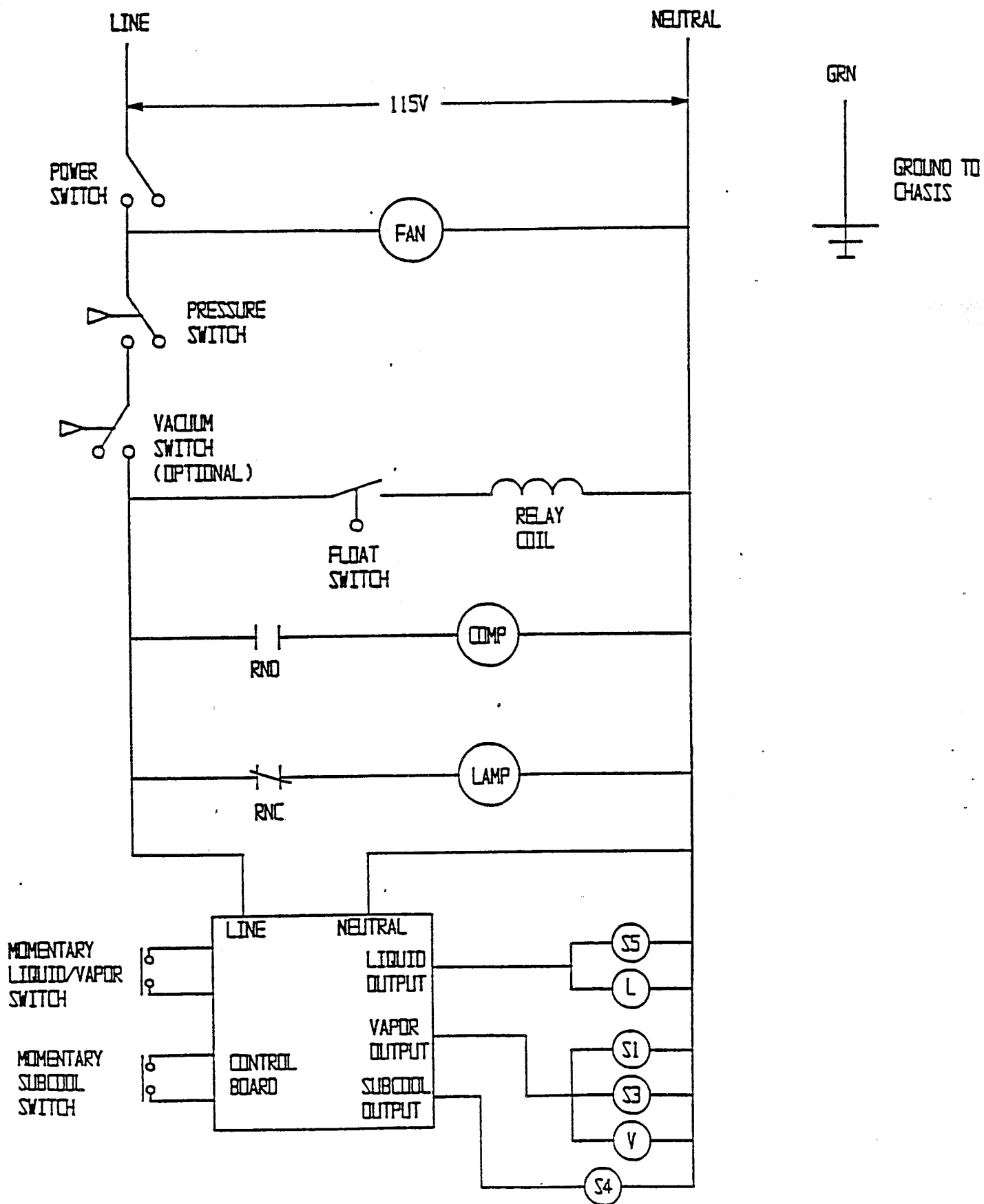
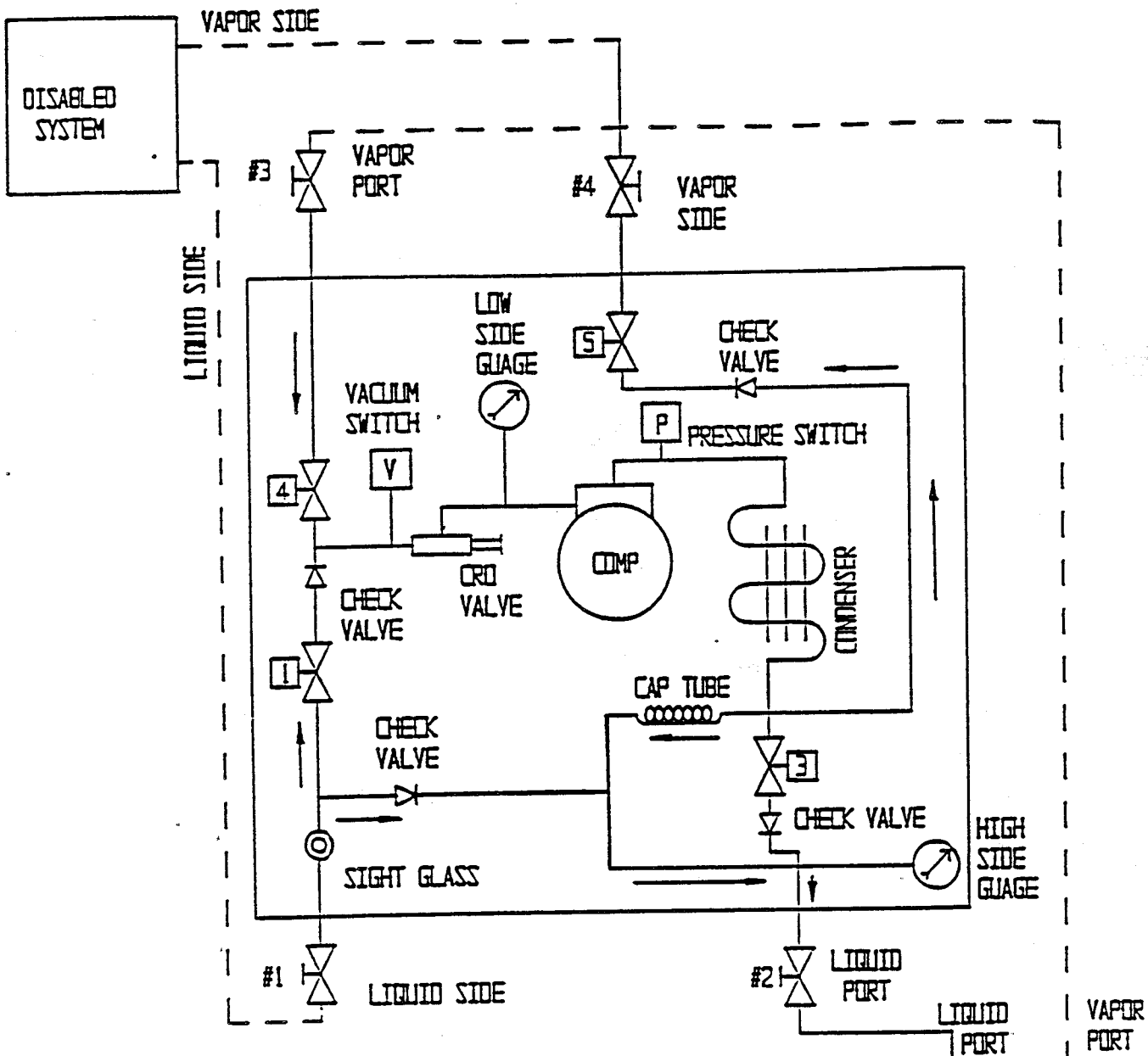


# WIRING DIAGRAM FF1UL:



# PIPING DIAGRAM FOR FF1UL:



LIQUID RECOVERY: S5, S4 ON  
S1, S3 OFF

VAPOR RECOVERY: S1, S3 ON  
S5, S4 OFF

SUBCOOL: S4 ON  
S1, S3, S5 OFF

